

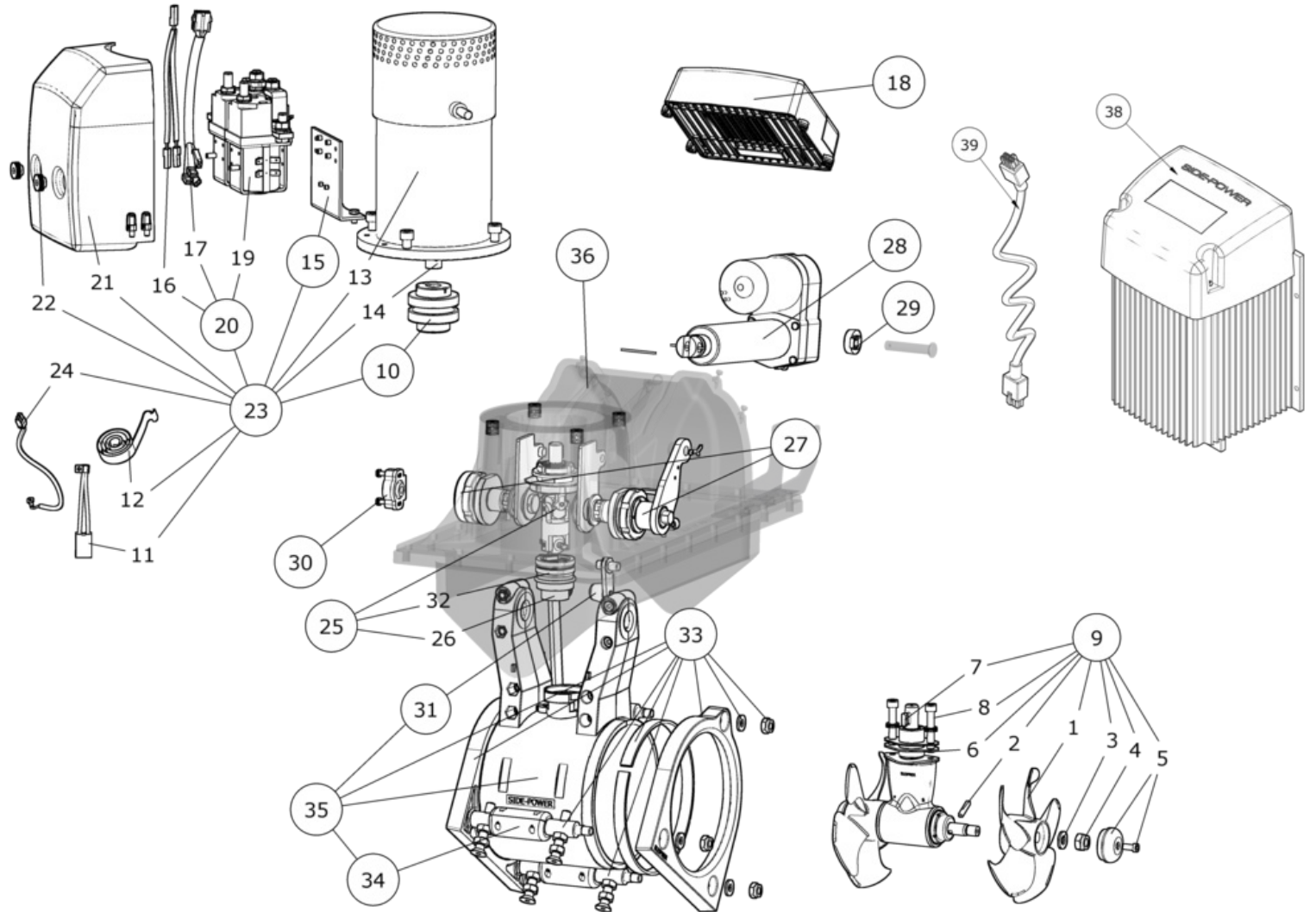
# SRVP100/185T-24V

## SRVP100 PRO Retractable bow/stern thruster 24V



# SLEIPNER

Spare parts (valid from 2017-11-22)



#	Name	Item Code	Description
1	Propeller	7 1261	Thruster propeller Twin ø185 / 5 bl
2	Propeller drivepin	6 1241	Drivepin for propeller 5mm
3	Propeller washer	7 1181	Propeller washer SE60/80/100
4	Locknut	4 1260	Lock nut
5	Anode	7 1190 A	Anode kit, aluminium for SE60/80/100
6	Gasket	8 0610	Gasket for gearleg installation in tunnel, SP75/95
7	Driveshaft key	6 1440	Key for flexible coupling 7HP/SP75/95
8	Gearleg bolt	12830	Bolt M8 x 30 6kt
9	Complete gearleg	8 0601	Complete gearleg SE80/100
10	Complete flexible coupling	7 1462	Complete flexible coupling Ø16/Ø20mm
11	Brushes for motor (kit)**		**
12	Brush springs for motor (kit)**		**
13	Electric motor	8 1024 R	Elektromotor SE100 24V
14	Key for electric motor shaft	10 1440	Key for drive shaft SP95/125++
15	Solenoid bracket kit	10 0140 24	Solenoid bracket kit
16	Internal wiring loom	6 1222	Wiring loom
17	Internal wiring loom	6 1223	Internal wiring harness
18	Electronic control unit	150000	Electronic Control Unit SRV
19	Solenoid	41371243	Solenoid replacement
20	Complete solenoid kit		8 0133 24
21	Solenoid Cover	6 2025	Solenoid cover for SE80T
22	Nut for solenoid cover	6 8810	Nut for solenoid cover
23	Complete electric motor assembly	8 0107 24	Complete electric motor for thruster SEP100 24V
24	Temp sensor	31091	NTC Temperature probe M5 L=300mm
25	Vertical drive shaft kit	6 2076	SRV vertical shaft 185mm.
26	Lower vertical drive shaft kit	SM158812	Lower joint kit Retract 185 mm
27	Horizontal shaft kit	6 2075	SRV horizontal shaft 185mm.
28	Actuator	139999-P8	Actuator P8, 24v SRV
29	Shear washer	140117	Grommet / Shear
30	Sensor	140144	Position Sensor 5KOhm 3pin
31	Anode retract	6 1180	Anode kit, zinc for 4HP up to 1999
32	Shaft sealing	140029	Mechanical sealing ø35mm, type 14DIN
33	Retract ring support kit 185mm	6 2142	Retract ring support kit 185mm
34	Retract tunnel anode w/bolts	140629	Anode rod for SRV thrusters
35	Complete Retract tunnel kit 185mm	SM167115	Complete Tunnel kit
36	Complete Retract mechanism assembly	8 0651 24	Retract mechanical SRV80/100-24v
37	Extension harness for 150000 control unit	6 2202-DC-3M	Extension harness for150000
38	PPC	PPC520	PPC520 Proportional Power Controller
39	PPC control cable	6 1280-05M	Cable thruster control 5m

The installer alone has responsibility for the installation of the spare parts. Side-Power only warranty the spare parts supplied only.

The information given in the document was correct at the time it was published. However, Sleipner Motor AS can not accept liability for any inaccuracies or omissions it may contain. Continuous product improvement may change the product specifications without notice. Therefore, Sleipner Motor AS can not accept liability for any possible differences between product and document.